



## Chevrolet Camaro 2010-2015

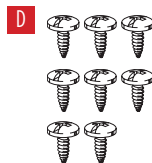
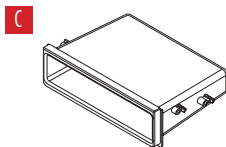
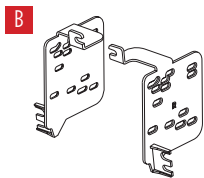
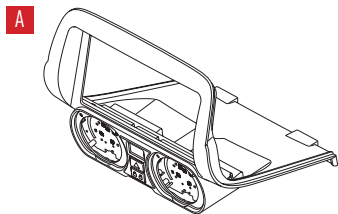
Visit [MetraOnline.com](http://MetraOnline.com) for more detailed information about the product and up-to-date vehicle specific applications

### KIT FEATURES

- ISO DIN radio provision with pocket
- ISO DDIN radio provision
- Painted silver to match the factory finish
- Repurposes the factory climate knobs for a factory look and feel
- Includes an Axxess interface, wiring harness, and antenna adapter

### KIT COMPONENTS

- A) Radio trim panel (with preassembled circuit board)
- B) Radio brackets
- C) Pocket
- D) #4 x 3/8" Phillips pan-head screws (8)
- E) #8 x 3/8" Phillips truss-head screws (4)
- F) Axxess interface and wiring (not shown)
- G) Antenna adapter (not shown)



### TABLE OF CONTENTS

Dash Disassembly .....	2-3
Kit Preparation .....	4-7
Kit Assembly	
–ISO DIN radio provision with pocket .....	8
–ISO DDIN radio provision .....	8
Axxess Interface Installation .....	9-19
Final Assembly .....	15

### WIRING & ANTENNA CONNECTIONS

Wiring Harness: Axxess interface included  
 Antenna Adapter: Included with kit  
 Steering wheel control interface: Included with kit  
 Backup camera retention: BACKUPCAM-2 (sold sep.)  
 Personalization Menu LCD: AX-LCD (sold sep.)

### TOOLS REQUIRED

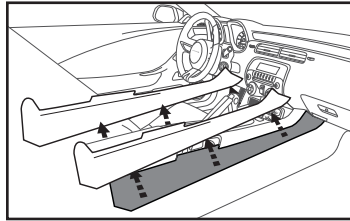
- Panel removal tool
- Phillips #1 screwdriver
- Phillips #2 screwdriver
- 9/32" socket wrench
- T-20 Torx screwdriver
- Cutting tool

**Attention!** With the key out of the ignition, disconnect the negative battery terminal before installing this product. Ensure that all installation connections are secure before cycling the ignition to test this product.

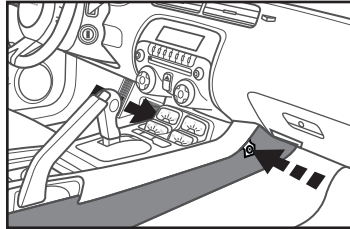
## DASH DISASSEMBLY

**For vehicles without UMQ gauge panel, unsnap and remove shifter trim panel and skip to step 8.**

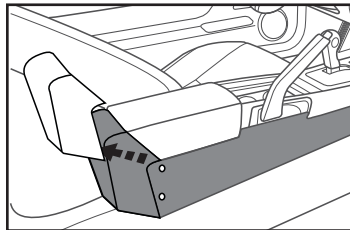
1. Unclip and remove the (2) side trim panels running the length of the center console. (Figure A)
2. Remove (1) Phillips screw from each side of the front of the center console. (Figure B)
3. Remove (2) Phillips screws per side from the cover on the back of the center console then unclip and remove the cover. (Figure C)



(Figure A)



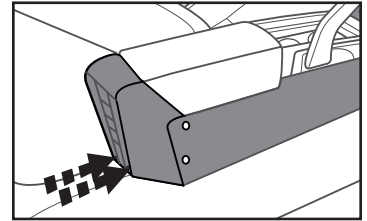
(Figure B)



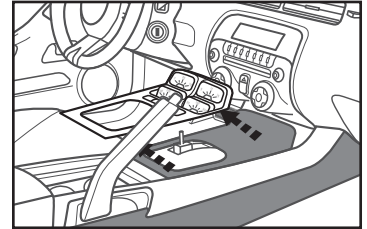
(Figure C)

4. Remove (2) Phillips screws exposed under the cover on the back of console. (Figure D)
5. Remove gauge cluster/trim panel around shifter. (Figure E)
6. **Auto transmission vehicles only:** Remove one T-20 Torx screw from the front of the shifter, and then remove the knob and shifter surround panel. (Figure F)

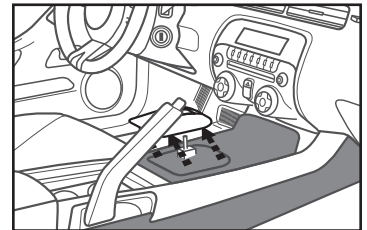
*Continue onto next page*



(Figure D)



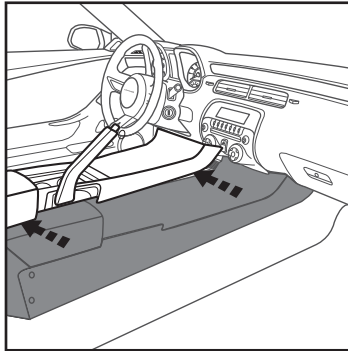
(Figure E)



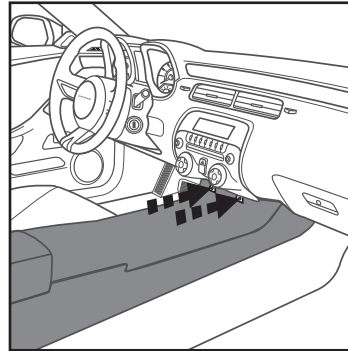
(Figure F)

## DASH DISASSEMBLY (CONT.)

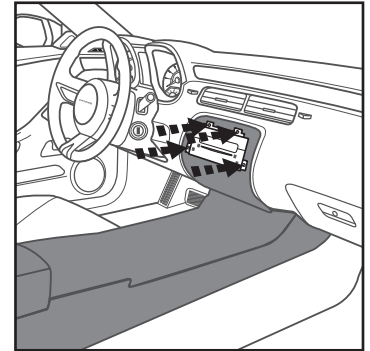
7. Remove (4) Phillips screws now exposed, and then lift up on the rear of the center console. Slide toward the back of the vehicle then unclip and remove the entire center console. (Figure G)
8. Remove (2) 9/32" screws securing the climate control/radio trim panel and remove. (Figure H)
9. Remove (4) 9/32" screws securing the radio chassis, and then remove. (Figure I)



(Figure G)



(Figure H)



(Figure I)

*Continue to Kit Preparation*

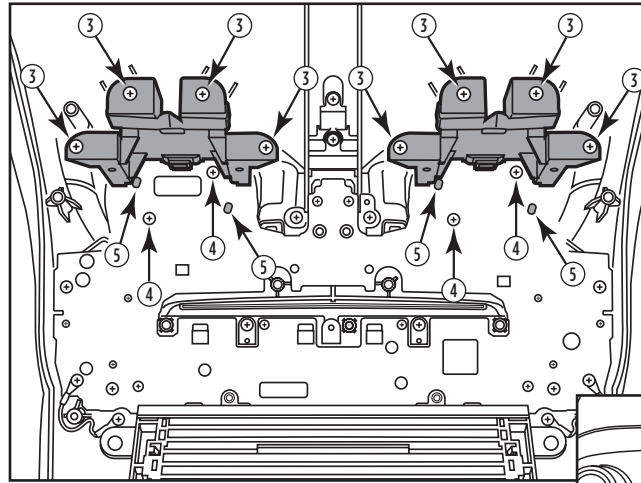
## KIT PREPARATION

**Attention!** Due to how involving it is to disassemble the factory radio, it is highly advisable to read the steps beforehand to get a clear understanding of what is to be expected. It would be best if pictures are taken during the process, and all hardware tagged as the process seems too complex, it is best to seek a professional to perform the job. Also take care when handling the circuit board to avoid static discharge which will damage the circuit board.

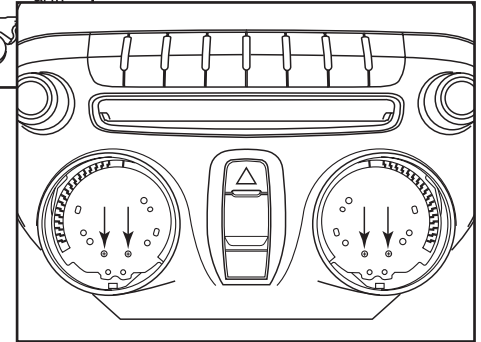
### From the factory radio:

1. If not already, turn both climate knobs to the far left.
2. Remove all the Phillips screws securing the cover to the back of the radio, then unplug and remove the cover.
3. Remove (8) screws securing the (2) plastic gear mechanisms. (Figure A)
4. Remove (4) Phillips screws securing the (2) climate knobs. (Figure A)
5. Press in on (2) tabs to remove each climate knob from the front. (Figure A)
6. From the front, remove (2) Phillips screws in each climate knob cavity. (Figure B)
7. Remove the (2) plastic gear mechanisms.

*Continued on the next page*



(Figure A)



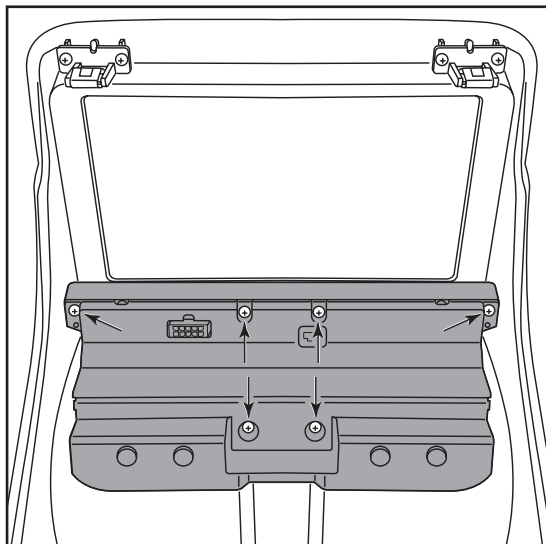
(Figure B)

## KIT PREPARATION (CONT.)

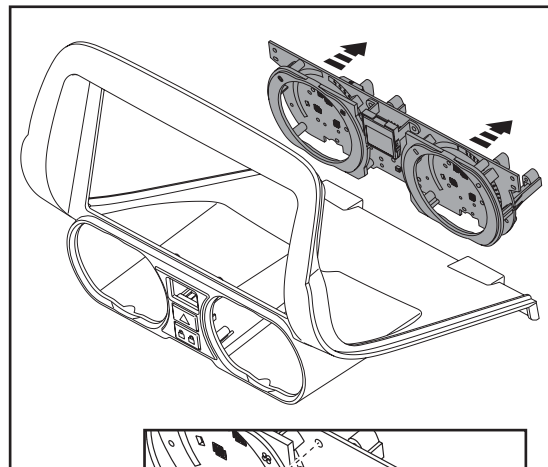
### To the 99-3028S radio trim panel:

8. Remove (6) screws securing the **circuit board cover**, then remove the cover. (Figure C)
9. Carefully remove the **circuit board** from the panel. (Figure D)
  - (a) If the **button membrane** came loose, place it back on by setting it on top of the (3) locater pins.
  - (b) If the **climate display** came loose, place it back onto the **circuit board** by lining up the pins in the **circuit board**. (See detail)

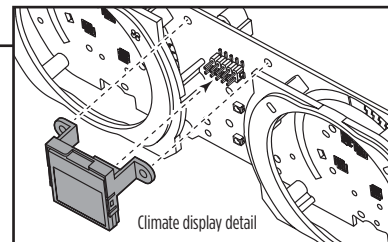
Continue to Kit Assembly



(Figure C)



(Figure D)

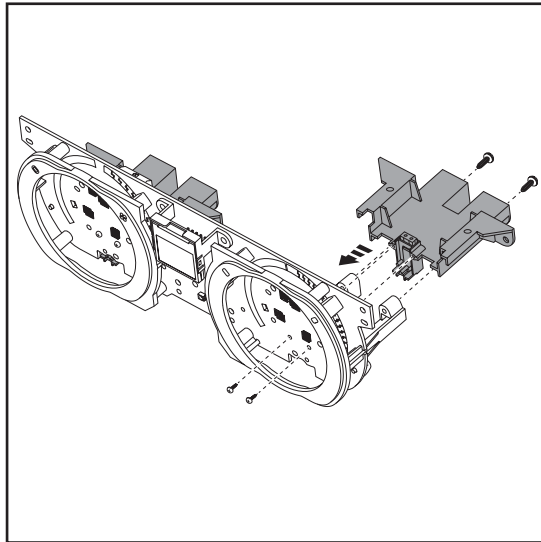


## KIT PREPARATION (CONT.)

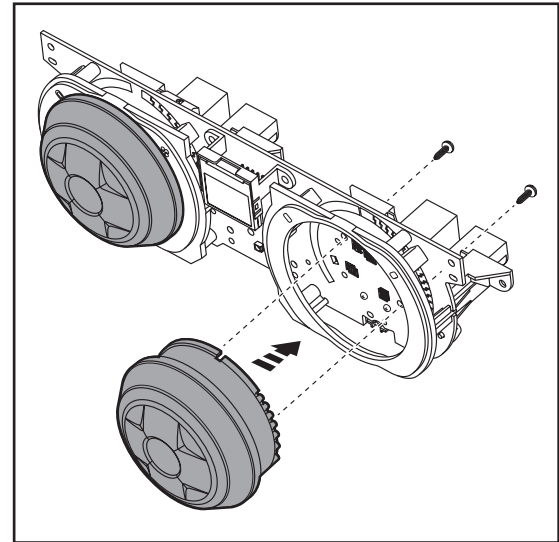
- Line up the (2) locator pins in the gear mechanism to the **circuit board**, and in the same motion, attach it to the **support brace**. Secure it to the **support brace** using (2) #4 X 3/8" Phillips pan-head screws provided. Do the same for both sides. (Figure E)
- Flip the **circuit board** over, then secure the gear mechanism to the **circuit board** using the factory screws. (Figure E)
- One at a time, place the climate knobs into the climate knob cavity, lining it up with the gear mechanism. Make sure they are placed correctly. The "snowflake" button should be placed on the right side (passenger side). Flip the **circuit board** over while holding the knob, then secure it to the **circuit board** using (2) #4 X 3/8" Phillips pan-head screws provided. Do the same for the other knob. (Figure F)

**Note:** The factory screws may also be used.

*Continued on the next page*



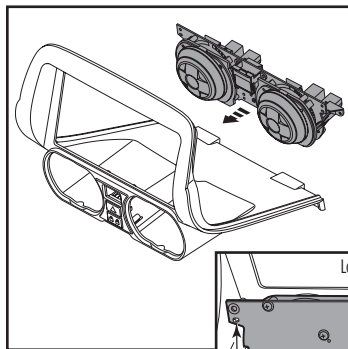
(Figure E)



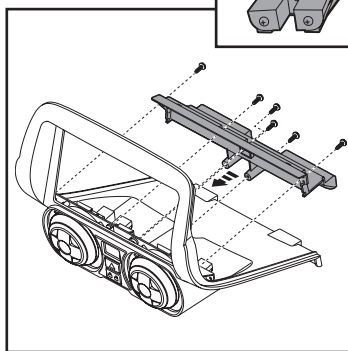
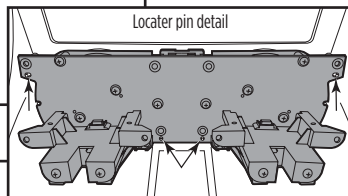
(Figure F)

## KIT PREPARATION (CONT.)

- Carefully place the **circuit board** assembly back into the **radio trim panel**. If set in correctly, the (4) locator pins will line up and push through the **circuit board**. (Figure G)
- Secure the **circuit board cover** back to the **radio trim panel** using the screws previously removed. (Figure H)



(Figure G)

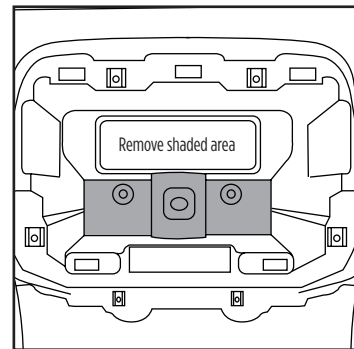


(Figure H)

### Sub-dash modification:

- Cut and remove the sub dash radio support to make room for the interface and harnesses. (Figure I)

*Continue to Kit Assembly*



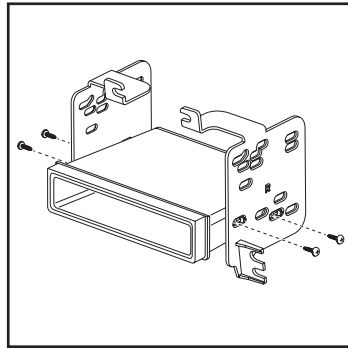
(Figure I)

## KIT ASSEMBLY

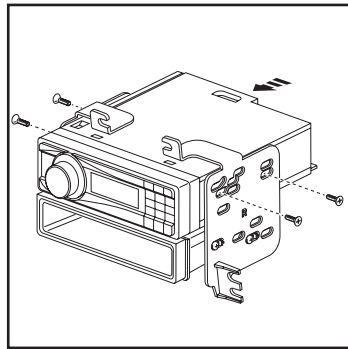
### ISO DIN radio provision with pocket

1. Attach the **pocket** to the **radio brackets** using (4) #8 x 3/8" Phillips truss-head screws provided. (Figure A)
2. Remove the metal DIN sleeve and trim ring from the aftermarket radio.
3. Slide the radio into the bracket/pocket assembly, then secure it using the screws supplied with the radio. (Figure B)

Continue to Axxess Interface Installation.



(Figure A)

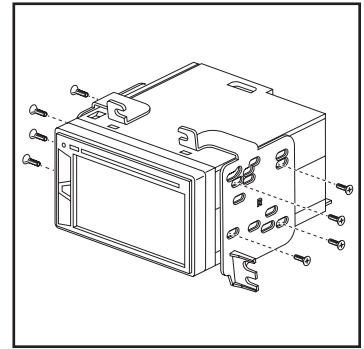


(Figure B)

### ISO DDIN radio provision

1. Secure the **radio brackets** to the radio using the screws supplied with the radio. (Figure A)

Continue to Axxess Interface Installation.



(Figure A)



# AXXESS INTERFACE INSTALLATION

## INTERFACE FEATURES

---

- Provides accessory power (12-volt 10-amp)
- Maintains the Retained Accessory Power (R.A.P.) feature
- Provides NAV outputs (parking brake, reverse, speed sense)
- Retains warning chimes
- Retains OnStar/OE Bluetooth
- Adjustable volume for chimes and OnStar
- Retains the factory AUX-IN jack
- Retains audio controls on the steering wheel
- Can be used in non-amplified, or amplified models
- Retains balance and fade
- Micro-B USB updatable

## INTERFACE COMPONENTS

---

- Axxess interface
- 3028 harness
- Climate control harness
- 16-pin harness with stripped leads
- 4-pin to 4-pin resistor pad harness
- Female 3.5mm connector with stripped leads

## TABLE OF CONTENTS

---

Connections .....	10-13
For models <i>without</i> an amplifier .....	10-11
For models <i>with</i> an amplifier .....	11-13
Installation .....	13
Programming .....	14
Adjustments .....	14
Final Assembly .....	15
Steering Wheel Control Settings .....	16-18
Troubleshooting .....	19

## TOOLS REQUIRED

---

- Crimping tool and connectors, or solder gun, solder, and heat shrink
- Small flat blade screwdriver • Tape • Wire cutter • Zip ties

**Attention!** This interface will work with models that are either non-amplified or amplified, Please follow the instructions carefully for your model vehicle. Failure to do so will result in either no sound, or low sound. If you are unsure if your vehicle is factory amplified or not, please contact your local dealership.

### For models *without* an amplifier:

#### From the 16-pin harness with stripped leads to the aftermarket radio:

- Connect the **Red** wire to the accessory wire.  
**Note:** If installing AX-LCD (sold separately), connect the (2) **Red** wires from the **3028 harness** as well.
- If the aftermarket radio has an illumination wire, connect the **Orange/White** wire to it.
- If the aftermarket radio has a mute wire, connect the **Brown** wire to it. If the mute wire is not connected, the radio will turn off when OnStar is activated.
- Connect the **Gray** wire to the right front positive speaker output.
- Connect the **Gray/Black** wire to the right front negative speaker output.
- Connect the **White** wire to the left front positive speaker output.
- Connect the **White/Black** wire to the left front negative speaker output.

The following (3) wires are only for multimedia/navigation radios that require these wires.

- Connect the **Blue/Pink** wire to the VSS/speed sense wire.
- Connect the **Green/Purple** wire to the reverse wire.
- Connect the **Light Green** wire to the parking brake wire.
- Tape off and disregard the following (5) wires, they will not be used in this application:  
**Blue/White, Purple, Purple/Black, Green, Green/Black**

#### From the 3028 harness to the aftermarket radio:

- Connect the **Black** wire to the ground wire.
- Connect the **Yellow** wire to the battery wire.
- Connect the **Pink** wire with a red bullet connector to the **Pink** wire from the **climate control harness**. If this wire is not connected the climate control will fail to function.
- If installing AX-LCD (sold separately), connect the (2) **Red** wires to accessory power.
- Cut off and remove the resistors from the **Green, Green/Black, Purple, and Purple/Black** wires below the heat shrink.
- Connect the **Green** wire to the left rear positive speaker output.
- Connect the **Green/Black** wire to the left rear negative speaker output.
- Connect the **Purple** wire to the right rear positive speaker output.
- Connect the **Purple/Black** wire to the right rear negative speaker output.
- Ensure the (2) 4-pin Molex connectors are connected together.

**Note:** The 4-pin to 4-pin resistor pad harness *will not* be used in this application.

*Continued on the next page*

## CONNECTIONS (CONT.)

- The **Black/Yellow** wire is used for OnStar level adjustment for models that do not come equipped with steering wheel controls. Refer to the **OnStar level Adjustment** section for further instructions.
- If retaining the factory AUX-IN jack is desired, connect the **Red** and **White** RCA jacks to the audio AUX-IN jacks from the aftermarket radio.

**Note:**

- a) The jack can only be used if it is a single jack.
- b) If the jack has a USB port as well, neither can be retained.

**Note:** The relay attached to the **3028 harness** is only for audible turn signal clicks. No extra steps are required to retain this feature, so leave the relay as-is.

**DIN jack:**

The DIN jack is to be used with the optional AX-LCD (sold separately) to retain the personalization menu.

*Continue to Installation*

**For models with an amplifier:**

**From the 16-pin harness with stripped leads to the aftermarket radio:**

- Connect the **Red** wire to the accessory wire.  
**Note:** If installing either an ASWC-1 or AX-LCD (both sold separately), connect the (2) **Red** wires from the **3028 harness** as well.
- Connect the **Blue/White** wire to the amp turn on wire. This wire must be connected to hear sound from the factory amplifier.
- If the aftermarket radio has an illumination wire, connect the **Orange/White** wire to it.
- If the aftermarket radio has a mute wire, connect the **Brown** wire to it. If the mute wire is not connected, the radio will turn off when OnStar is activated.
- Connect the **Gray** wire to the right front positive speaker output.
- Connect the **Gray/Black** wire to the right front negative speaker output.
- Connect the **White** wire to the left front positive speaker output.
- Connect the **White/Black** wire to the left front negative speaker output.

*The following (3) wires are only for multimedia/navigation radios that require these wires.*

- Connect the **Blue/Pink** wire to the VSS/speed sense wire.
- Connect the **Green/Purple** wire to the reverse wire.
- Connect the **Light Green** wire to the parking brake wire
- Tape off and disregard the following (4) wires, they will not be used in this application:  
**Green, Green/Black, Purple, Purple/Black**

*Continued on the next page*

### From the 3028 harness to the aftermarket radio:

- Connect the **Black** wire to the ground wire.
- Connect the **Yellow** wire to the battery wire.
- Connect the **Pink** wire with a red bullet connector to the **Pink** wire from the **climate control harness**. If this wire is not connected the climate control will fail to function.
- If installing either an ASWC-1 or AX-LCD (both sold separately), connect the (2) **Red** wires to accessory power.
- Connect the **Green** wire to the left rear positive speaker output.
- Connect the **Green/Black** wire to the left rear negative speaker output.
- Connect the **Purple** wire to the right rear positive speaker output.
- Connect the **Purple/Black** wire to the right rear negative speaker output.
- Disconnect the (2) 4-pin Molex connectors and then attach the **4-pin to 4-pin resistor pad harness**.

### 3.5mm jack steering wheel control retention:

- The 3.5mm jack is to be used to retain audio controls on the steering wheel control.
- **For the radios listed below:** Connect the **female 3.5mm connector with stripped leads**, to the male 3.5mm SWC jack from the **3028 harness**. Any remaining wires tape off and disregard:
  - **Eclipse:** Connect the steering wheel control wire, normally **Brown**, to the **Brown/White** wire of the connector. Then connect the remaining steering wheel control wire, normally **Brown/White**, to the **Brown** wire of the connector.
  - **Metra OE:** Connect the steering wheel control Key 1 wire (**Gray**) to the **Brown** wire.
  - **Kenwood or select JVC with a steering wheel control wire:** Connect the **Blue/Yellow** wire to the **Brown** wire.
 

**Note:** If the **Kenwood** radio auto detects as a JVC, manually set the radio type to **Kenwood**. See the instructions under **Changing Radio Type**.
  - **XITE:** Connect the steering wheel control SWC-2 wire from the radio to the **Brown** wire.
  - **Parrot Asteroid Smart or Tablet:** Connect the 3.5mm jack into the AX-SWC-PARROT (sold separately), and then connect the 4-pin connector from the AX-SWC-PARROT into the radio.
 

**Note:** The radio must be updated to rev. 2.1.4 or higher software.
  - **Universal “2 or 3 wire” radio:** Connect the steering wheel control wire, referred to as Key-A or SWC-1, to the **Brown** wire of the connector. Then connect the remaining steering wheel control wire, referred to as Key-B or SWC-2, to the **Brown/White** wire of the connector. If the radio comes with a third wire for ground, disregard this wire.
 

**Note:** After the interface has been programmed to the vehicle, refer to the manual provided with the radio for assigning the SWC buttons. Contact the radio manufacturer for more information.
- **For all other radios:** Connect the 3.5mm jack from the 3028 harness, into the jack on the aftermarket radio designated for an external steering wheel control interface. Please refer to the aftermarket radios manual if in doubt as to where the 3.5mm jack goes to.

## CONNECTIONS *(CONT.)*

- The **Black/Yellow** wire is used for OnStar level adjustment for models that do not come equipped with steering wheel controls. Refer to the **OnStar level Adjustment** section for further instructions.
- If retaining the factory AUX-IN jack is desired, connect the **Red** and **White** RCA jacks to the audio AUX-IN jacks from the aftermarket radio.

### **Note:**

- a) The jack can only be used if it is a single jack.
- b) If the jack has a USB port as well, neither can be retained.

**Note:** The relay attached to the 3028 harness is only for audible turn signal clicks. No extra steps are required to retain this feature, so leave the relay as-is.

### **DIN jack:**

The DIN jack is to be used with the optional AX-LCD (sold separately) to retain the personalization menu.

*Continue to Installation*

## INSTALLATION

### **With the key in the off position:**

1. Connect the **16-pin harness with stripped leads**, and the **3028 harness**, into the Axxess interface.
2. Connect the **climate control harness** to the **radio trim panel**, then to the wiring harness in the vehicle.
3. Locate the factory antenna connector in the dash and complete all necessary connections to the radio. Use the antenna adapter provided to adapt the factory antenna connector to the aftermarket radio.

**Attention!** Do not connect the **3028 harness** to the wiring harness in the vehicle just yet.

## PROGRAMMING

For the steps below, the L.E.D. located inside the interface can only be seen while active. The interface does not need to be opened to see the L.E.D.

1. Start the vehicle.
2. Connect the **3028 harness** to the wiring harness in the vehicle.
3. The L.E.D. will initially turn on solid **Green**, then turn off for a few seconds while it auto detects the radio installed.
4. After a couple seconds the L.E.D. will turn on solid **Red** while the interface auto detects the vehicle. The radio will shut off at this point. This process should take 5 to 30 seconds.
5. Once the vehicle has been auto detected by the interface, the L.E.D. will turn on solid **Green**, and the radio will come back on, indicating programming was successful.

### Programming the climate display:

6. Ensure that the vehicle is still running.
7. Adjust the fan speed on the climate control all the way up, then all the way down.
8. Test all functions of the installation for proper operation, before reassembling the dash.
9. If the interface fails to function, refer to the **Troubleshooting** section.

**Note:** The L.E.D. will turn on solid **Green** for a moment, and then turn off under normal operation after the key has been cycled.

## ADJUSTMENTS

### Chime level adjustment:

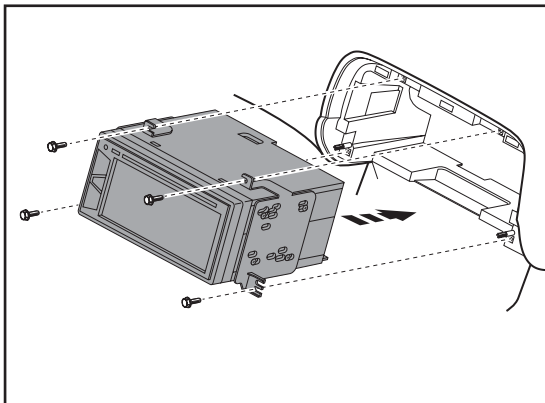
1. With the vehicle on, turn it off and leave the keys in ignition. Open the driver's door; chimes will be heard.
2. Wait 10 seconds, and then with a small flat-blade screwdriver, turn the potentiometer clockwise to raise the chime level; counterclockwise to lower the chime level.
3. When the chime is at a desired level, remove the keys from the ignition. This will lock the chime volume at its current level.

### OnStar level adjustment:

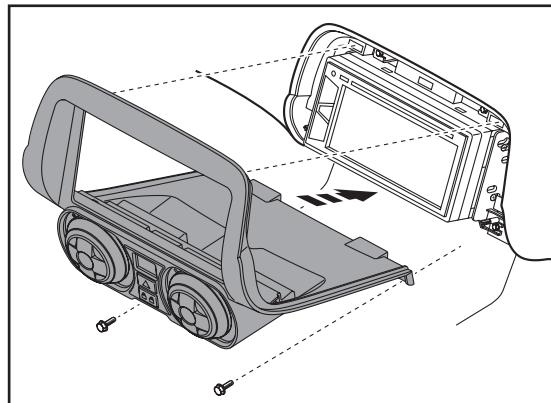
1. Press the OnStar button to activate it.
2. While OnStar is speaking, press the VOLUME-UP or VOLUME-DOWN button on the steering wheel to raise or lower the OnStar level.
3. If the vehicle doesn't come equipped with steering wheel controls, locate the **Black/Yellow** wire on the **3028 harness**.
4. While OnStar is speaking, tap the **Black/Yellow** wire to ground. Once the OnStar level is set, it will stay at that level until the **Black/Yellow** wire is tapped to ground again.

## FINAL ASSEMBLY

1. Secure the radio assembly to the dash using the factory screws. (Figure A)
2. Reassemble the dash in reverse order of disassembly using the **99-3028S radio trim panel** to complete the installation. (Figure B)



(Figure A)



(Figure B)

## STEERING WHEEL CONTROL SETTINGS

### L.E.D. Feedback

The (up to 21) **Red** L.E.D. flashes represent what brand radio the Axxess interface believes it is connected to. Each flash represents a different radio Manufacturer. For example, if you are installing a JVC radio, the Axxess interface will flash **Red** (5) times, and then stop. Following is a legend that dictates which radio Manufacturer corresponds to which flash.

### L.E.D. feedback legend

1 Flash - Eclipse (Type 1) †	9 Flashes - Valor	17 Flashes - TBD
2 Flashes - Kenwood ‡	10 Flashes - Clarion (Type 2) †	18 Flashes - JBL
3 Flashes - Clarion (Type 1) †	11 Flashes - Boss (Type 2)	19. Insane Audio
4 Flashes - Dual / Sony	12 Flashes - Eclipse (Type 2)	20 Flashes - Axxera/Magnadyne
5 Flashes - JVC	13 Flashes - LG	21 Flashes - Boss (Type 3)
6 Flashes - Boss (Type 1)/Jensen/Pioneer	14 Flashes - Parrot	22 Flashes - Axxera
7 Flashes - Alpine *	15 Flashes - XITE	23 Flashes - Axxerra (Type 2)
8 Flashes - Visteon	16 Flashes - Philips	

\* **Note:** If the Axxess interface flashes **Red** (7) times, and you do not have an Alpine radio connected to it, that means the Axxess interface does not detect a radio connected to it. Verify that the 3.5mm jack is connected to the correct steering wheel jack/wire in the radio.

\*\* **Note:** The AX-SWC-PARROT is required (sold separately). Also, the Parrot radio must have rev. 2.1.4 or higher software.

† **Note:** If you have a Clarion radio and the steering wheel controls do not work, change the radio type to the other Clarion radio type; same for Eclipse. The following section explains how to do this.

‡ **Note:** If you have a Kenwood radio and the L.E.D. feedback comes back showing as a JVC radio, change the radio type to Kenwood. The following section explains how to do this.

**Attention:** The **Axxess Updater App** can also be used to program the following (3) sub-sections as well, pending that the Axxess interface has been programmed.

### Changing Radio Type

If the LED flashes do not match the radio you have connected, you must manually program the Axxess interface to tell it what radio it is connected to.

1. After (3) seconds of turning the key on, press and hold the **Volume Down** button on the steering wheel until the L.E.D. in the Axxess interface goes solid.
2. Release the **Volume Down** button; the L.E.D. will go out indicating the Axxess interface is in **Changing Radio Type** mode.
3. Refer to the **Radio Legend** to know which radio number you would like to have programmed.
4. Press and hold the **Volume Up** button until the L.E.D. goes solid, and then release. Repeat this step for the desired radio number you have selected.
5. Once the desired radio number has been selected, press and hold the **Volume Down** button on the steering wheel until the L.E.D. goes solid. The L.E.D. will remain on for about (3) seconds while it stores the new radio information.
6. Once the L.E.D. goes out, the **Changing Radio Type** mode will then end. You can now test the steering control wheel controls.

**Note:** If at any time the user fails to press any button for a period longer than (10) seconds, this process will abort.

*Continued on the next page*



## STEERING WHEEL CONTROL SETTINGS (CONT.)

### Radio Legend

- |                                  |                      |                        |
|----------------------------------|----------------------|------------------------|
| 1. Eclipse (Type 1)              | 9. Valor             | 17. TBD                |
| 2. Kenwood                       | 10. Clarion (Type 2) | 18. JBL                |
| 3. Clarion (Type 1)              | 11. Boss (Type 2)    | 19. Insane Audio       |
| 4. Dual / Dual                   | 12. Eclipse (Type 2) | 20. Axxera / Magnadyne |
| 5. JVC                           | 13. LG               | 21. Boss (Type 3)      |
| 6. Boss (Type 1) /Jensen/Pioneer | 14. Parrot           | 22. Axxera             |
| 7. Alpine                        | 15. XITE             | 23. Axxerra (Type 2)   |
| 8. Visteon                       | 16. Philips          |                        |

### Remapping the steering wheel control buttons

Once the Axxess interface has been programmed, the button assignment for the steering wheel controls may be reassigned if so desired. For example, if the **Seek Up** button is preferred to be the **Mute** button instead. Follow the steps below to remap the steering wheel control buttons:

1. Ensure the Axxess interface is visible so you can see the L.E.D. flashes to confirm button recognition.

**Tip:** Turning the radio off is recommended.

2. Within the first twenty seconds of turning the ignition on, press and hold the **Volume Up** button on the steering wheel until the L.E.D. goes solid.
3. Release the **Volume Up** button, the L.E.D. will then go out; The **Volume Up** button has now been programmed.
4. Follow the list in the **Button Function Legend** to reference the order in which the steering wheel control buttons need to be programmed.

**Note:** If the next function on the list is not on the steering wheel, press the **Volume Up** button for (1) second until the L.E.D. comes on to skip that function, and then release the **Volume Up** button. This will tell the Axxess interface that this function is not available, and it will move on to the next function.

5. To complete the remapping process, press and hold the **Volume Up** button until the L.E.D. in the Axxess interface goes out.

### Button Function Legend

- |                   |                        |
|-------------------|------------------------|
| 1. Volume-Up      | 10. Band               |
| 2. Volume-Down    | 11. Play/Enter         |
| 3. Seek-Up/Next   | 12. PTT (Push to Talk) |
| 4. Seek-Down/Prev | 13. On-Hook            |
| 5. Source/Mode    | 14. Off-Hook           |
| 6. Mute           | 15. Fan-Up *           |
| 7. Preset-Up      | 16. Fan-Down *         |
| 8. Preset-Down    | 17. Temp-Up *          |
| 9. Power          | 18. Temp-Down *        |

\* *Not applicable in this application*

**Note:** Some radios may not have these commands. Please refer to the manual provided with the radio, or contact the radio manufacturer for specific commands recognized by that particular radio.

*Continued on the next page*

## STEERING WHEEL CONTROL SETTINGS (CONT.)

### Dual assignment instructions (long button press)

The Axxess interface has the capability to assign (2) functions to a single button, except **Volume Up** and **Volume Down**. Follow the steps below to program the button(s) to the desired setting.

**Note:** **Seek Up** and **Seek Down** come pre-programmed as Preset Up and Preset Down for a long button press.

1. Turn the key to ignition but do not start the vehicle.
2. Press and hold the desired steering wheel control button for (10) seconds, or until the L.E.D. flashes rapidly. At this point release the button; the L.E.D. will then go solid.
3. Press and release the **Volume Up** button the number of times corresponding to the new button number selected. Refer to the **Dual Assignment Legend**. The L.E.D. will flash rapidly while the **Volume Up** button is being pressed, and then go back to a solid L.E.D. once released. Proceed to the next step once the **Volume Up** button has been pressed the desired number of times.

**Caution:** If more than (10) seconds elapses between pressing the **Volume Up** button, this procedure will abort, and the L.E.D. will go out.

4. Press the desired button to store it to memory. The L.E.D. will now go out indicating the new information has been stored to memory.

**Note:** These steps must be repeated for each button desired to assign a dual assignment feature to. To reset a button back to its default state, repeat Step 1, then press the **Volume Down** button. The L.E.D. will go out, and the dual assignment feature for that button will be erased.

### Dual Assignment Legend

- |                   |                |                |                 |
|-------------------|----------------|----------------|-----------------|
| 1. Not allowed    | 6. ATT/Mute    | 11. Play/Enter | 15. Fan-Up *    |
| 2. Not allowed    | 7. Preset-Up   | 12. PTT        | 16. Fan-Down *  |
| 3. Seek-Up/Next   | 8. Preset-Down | 13. On-Hook    | 17. Temp-Up *   |
| 4. Seek-Down/Prev | 9. Power       | 14. Off-Hook   | 18. Temp-Down * |
| 5. Mode/Source    | 10. Band       |                |                 |

\* Not applicable in this application

### Resetting the Axxess interface

1. The **Blue** reset button is located inside the Axxess interface, between the two connectors.  
The button is accessible outside the Axxess interface, no need to open the Axxess interface.
2. Press and hold the reset button for (2) seconds, then let go to reset the Axxess interface.
3. Refer to the **Programming** section from this point.



**99-3028S**  
INSTALLATION INSTRUCTIONS



Having difficulties? We're here to help.



Contact our Tech Support line at:

**386-257-1187**



Or via email at:

[techsupport@metra-autosound.com](mailto:techsupport@metra-autosound.com)

**Tech Support Hours (Eastern Standard Time)**

Monday - Friday: 9:00 AM - 7:00 PM

Saturday: 10:00 AM - 7:00 PM

Sunday: 10:00 AM - 4:00 PM



**KNOWLEDGE IS POWER**

Enhance your installation and fabrication skills by enrolling in the most recognized and respected mobile electronics school in our industry. Log onto [www.installerinstitute.com](http://www.installerinstitute.com) or call 800-354-6782 for more information and take steps toward a better tomorrow.



**Metra recommends MECP  
certified technicians**



## Chevrolet Camaro 2010-2015

Visite [MetraOnline.com](http://MetraOnline.com) para más información acerca del producto y las aplicaciones específicas más actualizadas del vehículo

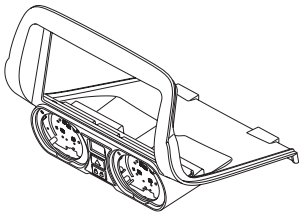
### CARACTERÍSTICAS DEL KIT

- Provisión de radio ISO DIN con cavidad
- Provisión de radio ISO DDIN
- Pintura plata que iguala el acabado de fábrica
- Reutiliza las perillas del clima de fábrica para tener un aspecto y una sensación de fábrica
- Incluye una interfaz Axcess, el arnés de cableado y el adaptador de antena

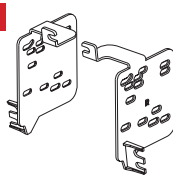
### COMPONENTES DEL KIT

- A) Panel de moldura para radio (con un circuito prearmado)
- B) Soportes del radio
- C) Cavidad
- D) Tornillos Phillips de #4 x 3/8" de cabeza troncónica (8)
- E) Tornillos Phillips de #8 x 3/8" de cabeza segmentada (4)
- F) Interfaz Axcess y cableado (no se muestra)
- G) Adaptador de antena (no se muestra)

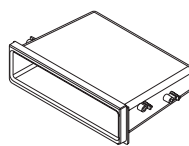
A



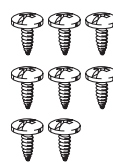
B



C



D



E



### INDICE

Desmontaje del tablero.....	2-3
Preparación del kit.....	4-7
Ensamble del kit	
-Provisión de radio ISO DIN con cavidad .....	8
-Provisión de radio ISO DDIN.....	8
Instalación de la interfaz Axcess.....	9-19
Ensamble final.....	15

### CABLEADO Y CONEXIONES DE ANTENA

- Arnés de cableado: Interfaz Axcess incluida
- Adaptador de antena: Se incluye con el kit
- Interfaz de control al volante: Se incluye con el kit
- Retención de cámara de reversa: CÁMARA DE REVERSA-2 (se vende por separado)
- Personalización de la pantalla LCD del menú: AX-LCD (se vende por separado)

### HERRAMIENTAS NECESARIAS

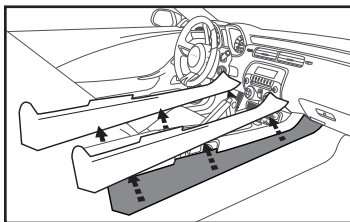
- Herramienta para retiro de paneles
- Destornillador Phillips #1 • Destornillador Phillips #2
- Llave de tubo de 9/32" • Destornillador Torx T-20
- Herramienta de corte

**¡Atención!** Con la llave fuera del encendido, desconecte el terminal negativo de la batería antes de instalar este producto. Asegúrese de que todas las conexiones de la instalación estén seguras antes de encender y apagar el encendido para probar este producto.

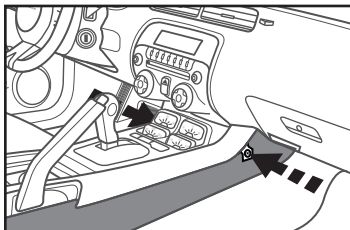
## DESMONTAJE DEL TABLERO

Para los vehículos que no tienen panel de instrumentos UMQ, quite a presión el panel de moldura de la palanca de velocidades y proceda al paso 8.

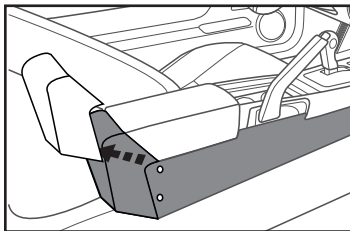
1. Desenganche y quite los (2) paneles de moldura laterales que corren toda la consola central a lo largo. (Figura A)
2. Quite (1) tornillo Phillips de cada lado del frente de la consola central. (Figura B)
3. Quite (2) tornillos Phillips en cada lado de la tapa de la parte posterior de la consola central. Después, desenganche la tapa y quitela. (Figura C)



(Figura A)



(Figura B)

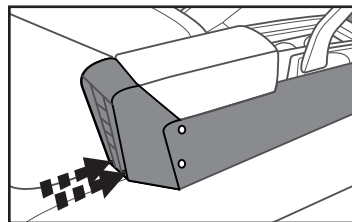


(Figura C)

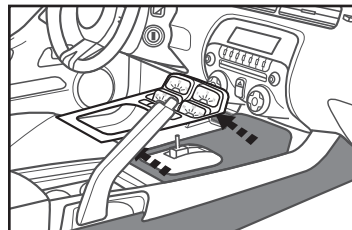
4. Quite (2) tornillos Phillips expuestos debajo de la tapa en la parte trasera de la consola. (Figura D)
5. Quite el panel de moldura / instrumentos alrededor de la palanca de velocidades. (Figura E)
6. **Únicamente vehículos con transmisión automática:**

Quite un tornillo Torx T-20 de la parte delantera de la palanca de velocidades. Después, quite la perilla y la palanca que rodean el panel. (Figura F)

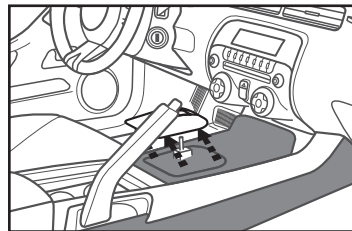
*Continúa en la siguiente página*



(Figura D)



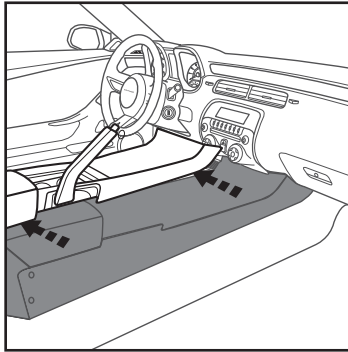
(Figura E)



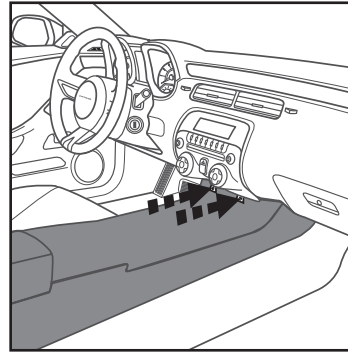
(Figura F)

## DESMONTAJE DEL TABLERO (CONT.)

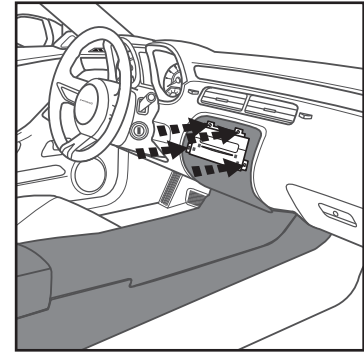
7. Quite (4) tornillos Phillips que están expuestos en este momento. Después, levante la parte trasera de la consola central. Deslícelo hacia atrás del vehículo. Después, desenganche la consola completa y quítela. (Figura G)
8. Quite los (2) tornillos de 9/32" que sujetan el panel de moldura para radio / control de clima y quítelo. (Figura H)
9. Quite (4) tornillos de 9/32" que sujetan el chasis del radio y luego, quítelo. (Figura I)



(Figura G)



(Figura H)



(Figura I)

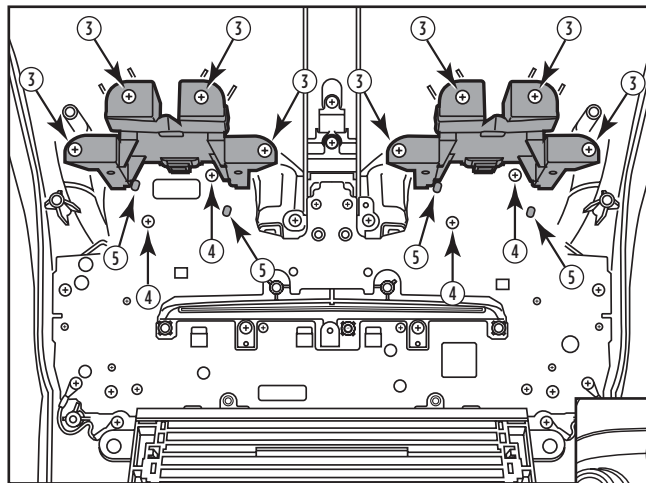
Continuar a la preparación del kit

## PREPARACIÓN DEL KIT

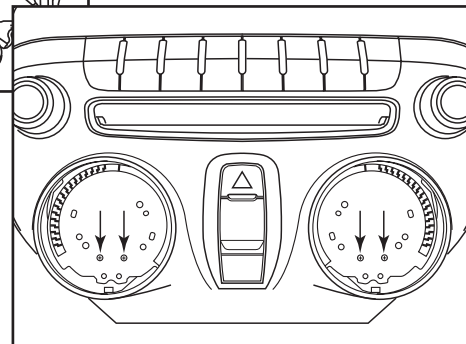
**¡Atención!** Debido a la complejidad que implica desarmar el radio de fábrica, es ampliamente recomendable leer los pasos con antelación para que entienda bien qué debe hacer. Se sugiere ampliamente que tome fotografías durante el proceso, ya que toda la tornillería marcada como tornillos son de un tamaño y forma diferentes. Si el proceso le parece demasiado complejo, es mejor que solicite la ayuda de un profesional para que realice el trabajo. Asimismo, tenga cuidado al manipular el tablero de circuitos para evitar que se genere una descarga de estática, ya que dañará el tablero de circuitos.

### Del radio de fábrica:

1. Gire ambas perillas de clima completamente hacia la izquierda si no lo ha hecho aún.
2. Quite todos los tornillos Phillips que fija la cubierta a la parte posterior del radio. Después, desconecte la cubierta y quítela.
3. Quite (8) tornillos que fijan los (2) mecanismos de engranes de plástico. (Figura A)
4. Quite (4) tornillos Phillips que fijan las (2) perillas de clima. (Figura A)
5. Empuje (2) lengüetas para quitar cada una de las perillas de clima desde el frente. (Figura A)
6. Desde el frente, quite (2) tornillos Phillips que está en cada una de las cavidades de las perillas de clima. (Figura B)
7. Quite los (2) mecanismos de engranes de plástico.



(Figura A)



(Figura B)

Continúa en la siguiente página

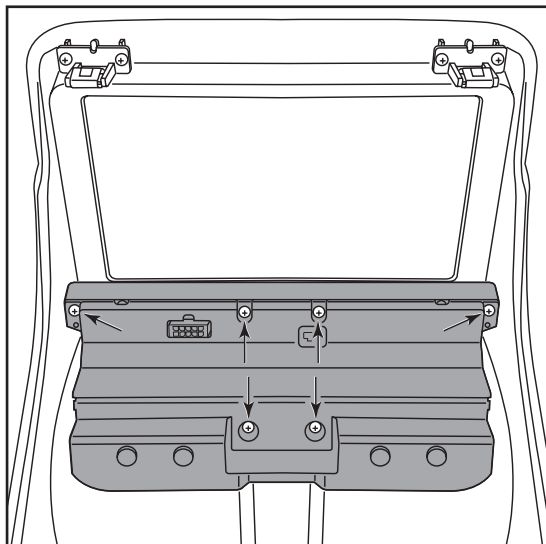


## PREPARACIÓN DEL KIT (CONT.)

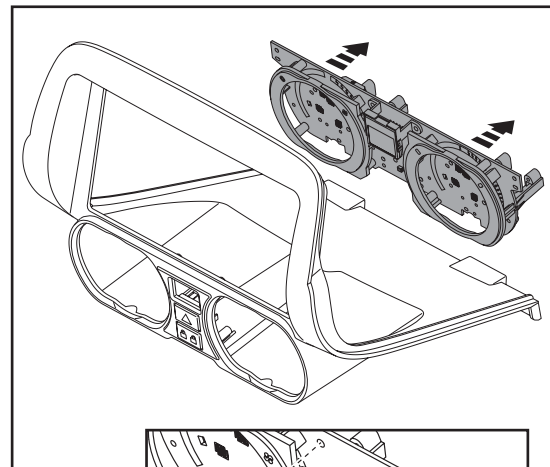
### Al panel de moldura para radio 99-3028S:

8. Quite (6) tornillos que fijan la cubierta del **tablero de circuitos**. Después, quite la cubierta. (Figura C)
9. Quite con cuidado el tablero de circuito del panel. (Figura D)
  - (a) Si se afloja la membrana del botón, vuelva a ponerla colocándola en la parte superior de los (3) pins posicionadores.
  - (b) Si se afloja la pantalla de clima, vuelva a ponerla encima del tablero de circuitos alineando los pins en el tablero de circuito. (Consulte los detalles)

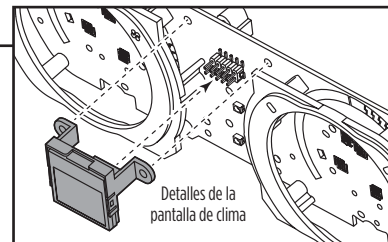
Continúe con el ensamble del kit



(Figura C)



(Figura D)

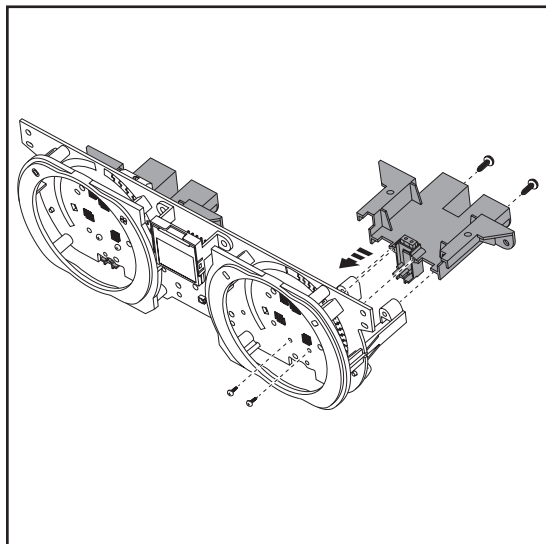


## PREPARACIÓN DEL KIT (CONT.)

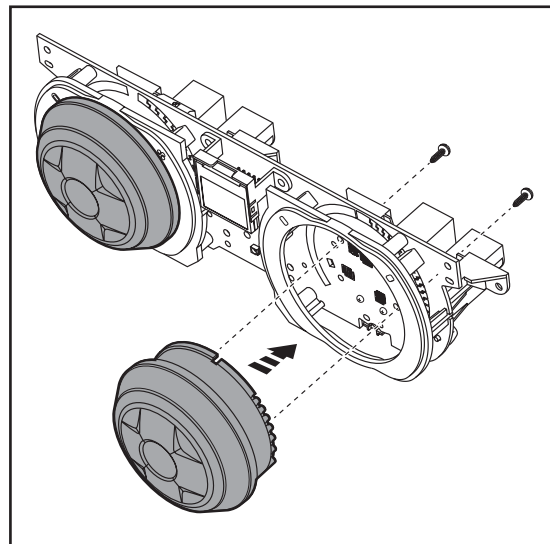
10. Alinee los (2) pins posicionadores en el mecanismo de engranes al **tablero de circuitos** y, en el mismo movimiento, fíjelo al **arco de soporte**. Fíjelo con el **arco de soporte** con (2) tornillos Phillips de #4 X 3/8" de cabeza segmentada incluidos. Repita el mismo procedimiento en ambos lados. (Figura E)
11. Gire el **tablero de circuito**. Después, fije el mecanismo de engranes al **tablero de circuitos** con los tornillos de fábrica. (Figura E)
12. Ponga las perillas del clima en la cavidad de perillas de clima, una por una, alineándolas con el mecanismo de engranes. Asegúrese de que estén bien puestas. El botón en forma de "copo de nieve" debe ponerse del lado derecho (del lado del copiloto). Gire el **tablero de circuito** mientras sostiene la perilla. Después, fíjelo al **tablero de circuito** con (2) tornillos Phillips de #4 x 3/8" de cabeza troncónica incluidos. Repita el mismo procedimiento con la otra perilla. (Figura F)

**Nota:** También es posible usar los tornillos de fábrica.

Continúa en la siguiente página



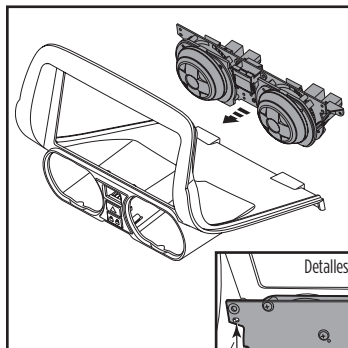
(Figura E)



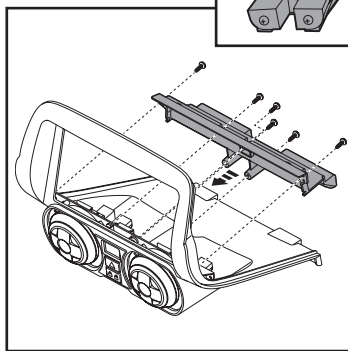
(Figura F)

## PREPARACIÓN DEL KIT (CONT.)

13. Ponga el ensamble del **tablero de circuito** cuidadosamente dentro del **panel de moldura para radio**. Si se puso correctamente, los (4) pins posicionadores quedarán alineados y pasarán por el tablero de circuitos. (Figura G)
14. Fije la **cubierta del tablero de circuito** al **panel de moldura para radio** con los tornillos que se quitaron anteriormente. (Figura H)



(Figura G)

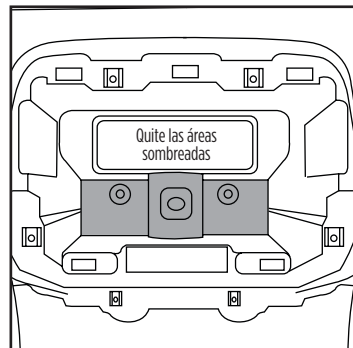
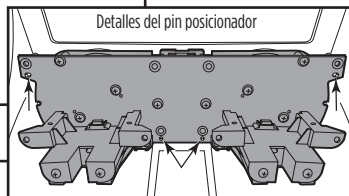


(Figura H)

### Modificación del subtablero:

15. Corte y quite el soporte del radio del subtablero para hacer espacio para la interfaz y los arneses. (Figura I)

*Continúe con el ensamble del kit*



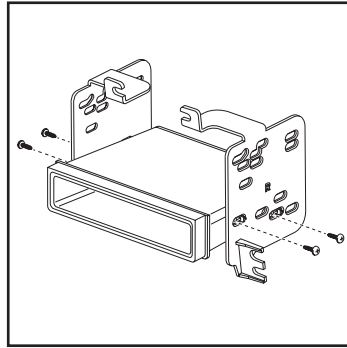
(Figura I)

## ENSAMBLE DEL KIT

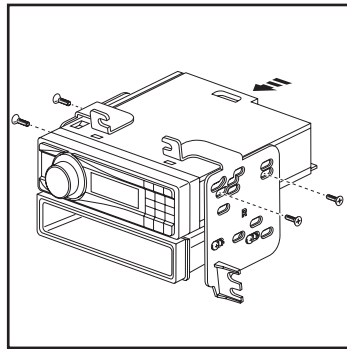
### Provisión de radio ISO DIN con cavidad

1. Sujete la **cavidad** a los **soportes del radio** con (4) tornillos Phillips de #8 x 3/8" de cabeza segmentada. (Figura A)
2. Quite la manga de metal DIN y el anillo de moldura del radio genérico.
3. Deslice el radio hacia adentro del ensamble del soporte/cavidad. Después, fíjelo con los tornillos incluidos con el radio. (Figura B)

Continúe con la instalación de la interfaz Axxess.



(Figura A)

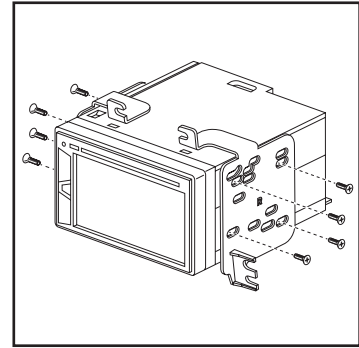


(Figura B)

### Provisión de radio ISO DDIN

1. Sujete los **soportes al radio** con los tornillos que vienen con el radio. (Figura A)

Continúe con la instalación de la interfaz Axxess.



(Figura A)

# INSTALACIÓN DE LA INTERFAZ AXCESS

## CARACTERÍSTICAS DE LA INTERFAZ

---

- Genera corriente de accesorios (12 voltios 10 amperes)
- Conserva la función de potencia de accesorio retenido (RAP)
- Cuenta con salidas NAV (freno de mano, reversa, sensor de velocidad)
- Conserva los tonos de advertencia
- Conserva OnStar / Bluetooth del fabricante original
- Volumen ajustable para tonos y OnStar
- Conserva el conector AUX-IN de fábrica
- Conserva los controles de audio en el volante
- Puede usarse en modelos amplificados y no amplificados
- Retiene el balance y la intensidad
- Actualizable con micro USB "B"

## COMPONENTES DE LA INTERFASE

---

- Interfaz Axcess
- Arnés 3028
- Arnés de control de clima
- Arnés de 16 pins con conectores pelados
- Arnés de cojinete de resistencia de 4 pins a 4 pins
- Conector hembra de 3,5 mm con conectores pelados

## INDICE

---

Conexiones a realizar .....	10-13
Para los modelos <i>que no tienen</i> amplificador .....	10-11
Para los modelos <i>que tienen</i> amplificador .....	11-13
Instalación .....	13
Programación.....	14
Ajustes .....	14
Ensamble finale .....	15
Configuración del control del volante.....	16-18
Resolución de problemas.....	19

## HERRAMIENTAS NECESARIAS

---

- Herramienta de engatillado y conectores o pistola de soldadura, soldadora y tubo termorretráctil • Cinta • Cortador de tubos • Abrazaderas plásticas

**¡Atención!** Esta interfaz funcionará con los modelos que estén amplificados y no amplificados. Siga las instrucciones con atención de acuerdo con el modelo de su vehículo. Ignorar las instrucciones ocasionará que no haya sonido o que el sonido sea bajo. Si no tiene la certeza de si su vehículo está amplificado de fábrica o no, comuníquese con su concesionario local.

## Para los modelos *que no tienen* amplificador:

### Del arnés de 16 pins con conectores pelados al radio genérico:

- Conecte el cable **rojo** al cable de accesorios.  
**Nota:** Si instala AX-LCD (se vende por separado), conecte también los (2) cables **rojos** del **arnés 3028**.
- Si el radio genérico cuenta con un cable de iluminación, conéctele el cable **anaranjado/blanco**.
- Si el radio de mercado secundario tiene cable de silencio, conéctele el cable **café**. Si el cable de silencio no está conectado, el radio se apagará cuando se active OnStar.
- Conecte el cable **gris** a la salida positiva de la bocina delantera derecha.
- Conecte el cable **gris/negro** a la salida negativa de la bocina delantera derecha.
- Conecte el cable **blanco** a la salida positiva de la bocina delantera izquierda.
- Conecte el cable **blanco/negro** a la salida negativa de la bocina delantera izquierda.

Las siguientes (3) cables son únicamente para radios con multimedia/navegación que los necesitan.

- Conecte el cable **azul** con rosa al cable de VSS/sensor de velocidad.
- Conecte el cable **verde/morado** al cable de reversa.
- Conecte el cable **verde claro** al cable de freno de mano.
- Encinte e ignore los siguientes (5) cables, ya que no se usarán en esta aplicación.  
**Azul/blanco, morado, morado/negro, verde, verde/negro**

### Desde el arnés 3028 al radio genérico:

- Conecte el cable **negro** al cable de tierra.
- Conecte el cable **amarillo** al cable de la batería.
- Conecte el cable rosa al cable **rosa** del **arnés de control de clima** con un conector tipo bala **rojo**. Si el cable no está conectado, el control de clima no funcionará.
- Si instala AX-LCD (se vende por separado), conecte los (2) cables **rojos** a la alimentación de accesorios.
- Corte las resistencias de los cables **verde, verde/negro, morado y morado/negro** que están debajo del tubo termoretráctil y quitelos.
- Conecte el cable **verde** a la salida positiva de la bocina trasera izquierda.
- Conecte el cable **verde/con negro** a la salida negativa de la bocina trasera izquierda.
- Conecte el cable **morado** a la salida positiva de la bocina trasera derecha.
- Conecte el cable **morado/negro** a la salida negativa de la bocina trasera derecha.
- Asegúrese de que los (2) conectores Molex de 4 pins estén conectados entre sí.

**Nota:** El arnés del cojinete de resistencia de 4 pins a 4 pins *no se usará* en esta aplicación.

*Continúa en la siguiente página*

- El cable **negro/amarillo** se usa para ajustes a nivel OnStar en modelos que no están equipados con controles en el volante. Consulte la sección de **ajuste de nivel OnStar** para más instrucciones.
- Si quiere conservar el conector AUX-IN de fábrica, conecte las entradas RCA **rojas y blancas** a las entradas AUX-IN de audio desde el radio genérico.

### **Nota:**

- a) La entrada únicamente podrá usarse si tiene un conector único.
- b) Si el conector también tiene un puerto USB, no podrá conservarse ninguno.

**Nota:** El relé fijo al **arnés 3028** únicamente es para los chasquidos audibles de la direccional. No es necesario realizar pasos adicionales para conservar esta característica, así que deje el relé tal y como está.

### **Entrada DIN:**

La entrada DIN debe usarse con el AX-LCD opcional (se vende por separado) para conservar el menú de personalización.

*Continúa con Instalación*

### **Para los modelos que tienen amplificador:**

#### **Del arnés de 16 pins con conectores pelados al radio genérico:**

- Conecte el cable **rojo** al cable del accesorio.  
**Nota:** Si se instala un ASWC-1 o AX-LCD (ambos se venden por separado), conecte también los (2) cables **rojos** del **arnés 3028**.
- Conecte el cable **azul/blanco** con el cable de encendido del amplificador. Este cable debe estar conectado para escuchar sonido del amplificador de fábrica.
- Si el radio de mercado secundario tiene cable de silencio, conéctele el cable **anaranjado/blanco**.
- Si el radio de mercado secundario tiene cable de silencio, conéctele el cable **café**. Si el cable de silencio no está conectado, el radio se apagará cuando se active OnStar.
- Conecte el cable **gris** a la salida positiva de la bocina delantera derecha.
- Conecte el cable **gris/negro** a la salida negativa de la bocina delantera derecha.
- Conecte el cable **blanco** a la salida positiva de la bocina delantera izquierda.
- Conecte el cable **blanco/negro** a la salida negativa de la bocina delantera izquierda.

*Los siguientes (3) cables son únicamente para radios con multimedia/navegación que los necesitan.*

- Conecte el cable **azul** con rosa al cable de VSS/sensor de velocidad.
- Conecte el cable **verde/morado** al cable de reversa.
- Conecte el cable **verde claro** al cable de freno de mano.
- Enciente e ignore los siguientes (4) cables, ya que no se usarán en esta aplicación.

#### **Verde, verde/negro, morado, morado/negro**

*Continúa en la siguiente página*

### Desde el arnés 3028 al radio genérico:

- Conecte el cable **negro** al cable de tierra.
- Conecte el cable **amarillo** al cable de la batería.
- Conecte el cable **rosa** al cable **rosa** del **arnés de control de clima** con un conector tipo bala rojo. Si el cable no está conectado, el control de clima no funcionará.
- Si se instala un ASWC-1 o AX-LCD (ambos se venden por separado), conecte también los (2) cables **rojos** a la fuente de poder de accesorio.
- Conecte el cable **verde** a la salida positiva de la bocina trasera izquierda.
- Conecte el cable **verde con negro** a la salida negativa de la bocina trasera izquierda.
- Conecte el cable **morado** a la salida positiva de la bocina trasera derecha.
- Conecte el cable **morado con negro** a la salida negativa de la bocina trasera derecha.
- Desconecte los (2) conectores Molex de 4 pins. Después, fíjelos al **arnés de cojinete de resistencia de 4 pins a 4 pins**.

### Conservación del control en volante con entrada de 3.5 mm:

- La entrada de 3.5 mm debe usarse para conservar los controles de audio en los controles del volante.
- **Para los radios que se mencionan a continuación:** Conecte el **conector hembra de 3.5 mm con los conectores pelados** a la entrada SWC macho de 3.5 mm del **arnés 3028**. Todo cable restante debe encintarse y descartarse:
  - **Eclipse:** Conecte el cable de control en volante, que suele ser **café**, al cable **café/blanco** del conector. Después, conecte el cable restante de control en volante, que suele ser **café/blanco**, al cable **café** del conector.
  - **Metra OE:** Conecte el cable Key 1 (**gris**) del control en el volante al cable **café**.
  - **Kenwood o ciertos modelos JVC con un cable de control en el volante:** Conecte el cable **azul/amarillo** al cable **café**.  
**Nota:** Si su radio **Kenwood** se detecta automáticamente como JVC, defina manualmente el tipo de radio a **Kenwood**. Consulte las instrucciones en la sección **“Cambio del tipo de radio”**.
  - **XITE:** Conecte el cable SWC-2 de control en el volante del radio al cable **café**.
  - **Parrot Asteroid Smart o Tablet:** Conecte el conector de 3.5 mm al AX-SWC-PARROT (se vende por separado) y después, conecte el conector de 4 pins del AX-SWC-PARROT al radio.  
**Nota:** El radio debe estar actualizado a la versión de software 2.1.4 o posterior.
  - **Radio universal de “2 o 3 cables”:** Conecte el cable de control en volante, que se conoce como Key-A o SWC-1, al cable **café** del conector. Después, conecte el cable de control en volante restante, que se conoce como Key-B o SWC-2, al cable **café/blanco** del conector. Si el radio incluye un tercer cable de puesta a tierra, descarte este cable.  
**Nota:** Después de haber programado la interfaz al vehículo, consulte el manual incluido con el radio para saber cómo asignar los botones SWC. Comuníquese con el fabricante de radio para más información.
- **Para todos los demás radios:** Conecte el conector de 3.5 mm del arnés 3028 en la entrada en el radio genérico designada para una interfaz de control al volante externa. Consulte el manual de los radios genéricos en caso de tener dudas sobre adónde va el conector de 3.5 mm.



## CONEXIONES (CONT.)

- El cable **negro/amarillo** se usa para ajustes a nivel OnStar en modelos que no están equipados con controles en el volante. Consulte la sección de **ajuste de nivel OnStar** para más instrucciones.
- Si quiere conservar el conector AUX-IN de fábrica, conecte las entradas RCA **rojas y blancas** a las entradas AUX-IN de audio desde el radio genérico.

### Nota:

- a) La entrada únicamente podrá usarse si tiene un conector único.
- b) Si el conector también tiene un puerto USB, no podrá conservarse ninguno.

**Nota:** El relé fijo al arnés 3028 únicamente es para los chasquidos audibles de la direccional. No es necesario realizar pasos adicionales para conservar esta característica, así que deje el relé tal y como está.

### Entrada DIN:

La entrada DIN debe usarse con el AX-LCD opcional (se vende por separado) para conservar el menú de personalización.

*Continúa con Instalación*

## INSTALACIÓN

### Con la llave en la posición de apagado:

1. Conecte el arnés de 16 pins con conectores pelados y el arnés 3028 a la interfaz Axxess.
2. Conecte el arnés de control de clima al panel de moldura para radio. Después, conéctelo al arnés de cableado en el vehículo.
3. Localice el conector de la antena de fábrica en el tablero y realice todas las conexiones necesarias al radio. Use el adaptador de antena incluido para adaptar el conector de antena de fábrica al radio genérico.

**¡Atención!** No conecte el arnés **3028 al arnés** de cableado en el vehículo todavía.

## PROGRAMACIÓN

Para los pasos que se encuentran a continuación, la luz LED que se encuentra dentro de la interfaz únicamente podrá verse mientras esté activa. No es necesario abrir la interfaz para ver la luz LED.

1. Encienda el vehículo.
2. Conecte el arnés **3028 al arnés** de cableado en el vehículo.
3. La luz LED se encenderá en **verde** fijo. Después, se apagará durante unos cuantos segundos si detecta automáticamente el radio que se instaló.
4. Después de unos segundos, la luz LED se encenderá en **rojo** fijo mientras la interfaz detecta automáticamente el vehículo. El radio se apagará en este momento. Este proceso debe de tomar entre 5 y 30 segundos.
5. Cuando la interfaz haya detectado automáticamente el vehículo, la luz LED se encenderá en **verde** fijo y el radio se encenderá nuevamente, lo que indicará que la programación fue exitosa.

### Programación de la pantalla de clima:

6. Asegúrese de que el vehículo siga encendido.
7. Ajuste la velocidad del ventilador en el control del clima a máxima potencia. Después, bájela a potencia mínima.
8. Antes de volver a armar el tablero, pruebe todas las funciones de la instalación para corroborar que todo funciona correctamente.
9. Si la interfaz no funciona, consulte la sección “**Resolución de problemas**”.

**Nota:** La luz LED se encenderá en **verde** fijo por un momento. Después, se apagará en su funcionamiento normal cuando se gire la llave.

## AJUSTES

### Ajuste del nivel de los tonos:

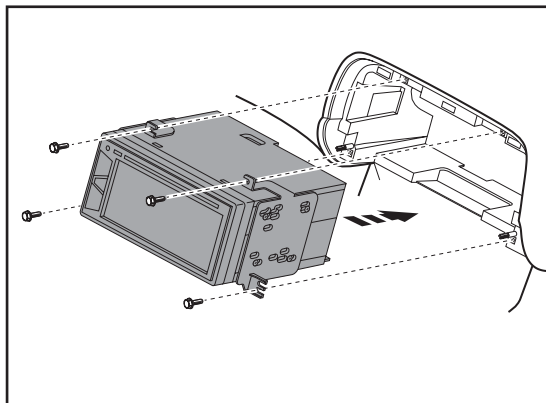
1. Con el vehículo encendido, apague el vehículo y deje las llaves en la marcha. Abra la puerta del conductor; se escucharán los tonos.
2. Espere 10 segundos y después, con un pequeño destornillador plano, gire el potenciómetro hacia la derecha para subir el nivel de los tonos y hacia la izquierda para bajar el nivel de los tonos.
3. Cuando el tono esté en el nivel deseado, retire las llaves de la marcha. Esto bloqueará el volumen de los tonos en su nivel actual.

### Ajuste del nivel de OnStar:

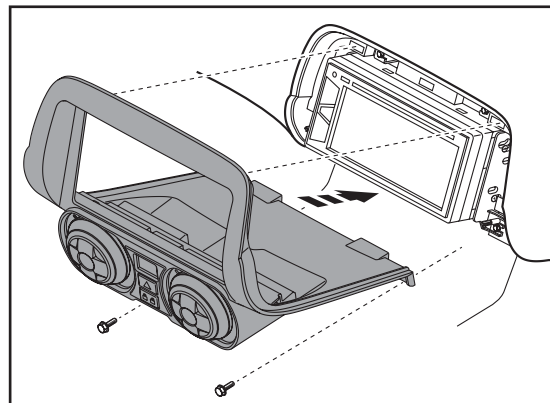
1. Presione el botón OnStar para activarlo.
2. Mientras OnStar está hablando, oprima los botones de “SUBIR VOLUMEN” o “BAJAR VOLUMEN” en el volante para aumentar o bajar el nivel de OnStar.
3. Si el vehículo no viene equipado con controles en el volante, ubique el cable **negro/amarillo** en el **arnés 3028**.
4. Mientras OnStar está hablando, toque el cable **negro/amarillo** a tierra. Una vez que el nivel de OnStar esté ajustado se quedará en ese nivel hasta que el cable **negro/amarillo** se toque a tierra de nuevo.

## ENSAMBLE FINAL

1. Fije el ensamble del radio al tablero con los tornillos de fábrica. (Figura A)
2. Vuelva a armar el tablero al revés de como lo desarmó usando el **panel de moldura para radio 99-3028S** para terminar la instalación. (Figura B)



(Figura A)



(Figura B)

# CONFIGURACIÓN DE CONTROLES EN EL VOLANTE

## Retroalimentación de L.E.D.

Los (21) parpadeos en **rojo** de la luz LED (que es la cantidad máxima posible) representan la marca de radio que la interfaz Axxess considera que está conectada. Cada parpadeo representa un fabricante de radio diferente. Por ejemplo, si está instalando un radio JVC, la interfaz Axxess parpadeará en **rojo** (5) veces antes de apagarse. A continuación se incluye una lista de leyendas que indica a qué fabricante de radio corresponde cada parpadeo.

### Leyenda de retroalimentación de luz LED

1 Parpadeo - Eclipse (Tipo 1) †	9 Parpadeos - Valor	17 Parpadeos - TBD
2 Parpadeos - Kenwood ‡	10 Parpadeos - Clarion (Tipo 2) †	18 Parpadeos - JBL
3 Parpadeos - Clarion (Tipo 1) †	11 Parpadeos - Boss (Tipo 2)	19. Insane Audio
4 Parpadeos - Dual / Sony	12 Parpadeos - Eclipse (Tipo 2)	20 Parpadeos - Axxera/Magnadyne
5 Parpadeos - JVC	13 Parpadeos - LG	21 Parpadeos - Boss (Tipo 3)
6 Parpadeos - Boss (Tipo 1)/Jensen/Pioneer	14 Parpadeos - Parrot	22 Parpadeos - Axxera
7 Parpadeos - Alpine *	15 Parpadeos - XITE	23 Parpadeos - Axxerra (Tipo 2)
8 Parpadeos - Visteon	16 Parpadeos - Philips	

\* **Nota:** Si la interfaz Axxess parpadea en **rojo** (7) veces y no tiene conectado un radio Alpine, quiere decir que la interfaz Axxess no detecta el radio que está conectado. Revise que la entrada de 3.5 mm esté conectada al cable/entrada de volante correcto en el radio.

\*\* **Nota:** Se necesita el AX-SWC-PARROT (se vende por separado). Asimismo, el radio Parrot debe estar en la versión 2.1.4 o posterior.

† **Nota:** Si tiene un radio Clarion y los controles en el volante no funcionan, cambie el tipo de radio al otro tipo de radio Clarion; haga lo mismo con Eclipse. La siguiente sección explica cómo hacerlo.

‡ **Nota:** Si tiene un radio Kenwood y la retroalimentación de LED vuelve a encenderse para indicar un radio JVC, cambie el tipo de radio a Kenwood. La siguiente sección explica cómo hacerlo.

**Atención:** La aplicación **Axxess Updater** también puede usarse para programar las siguientes (3) subsecciones, siempre y cuando se haya programado la interfaz Axxess.

## Cambio de tipo de radio

Si el parpadeo de la luz LED no coincide con el radio que había conectado, debe programar la interfaz Axxess manualmente para que indique qué radio está conectado.

1. Después de (3) segundos de haber encendido la marcha, mantenga oprimido el botón de **Bajar volumen** en el volante hasta que la luz LED en la interfaz Axxess deje de parpadear.
2. Suelte el botón de **Bajar volumen**. La luz LED se apagará, lo que quiere decir que la interfaz Axxess está en modo de “**Cambio del tipo de radio**”.
3. Consulte la **lista de leyendas de radios** para saber qué número de radio le gustaría programar.
4. Mantenga oprimido el botón de **Subir volumen** hasta que la luz LED se encienda en color sólido. Después, suéltelo. Repita este paso hasta llegar al número de radio que haya seleccionado.
5. Cuando se haya seleccionado el número de radio deseado, mantenga oprimido el botón de **Bajar volumen** en el volante hasta que la luz LED deje de parpadear. La luz LED permanecerá encendida durante cerca de (3) segundos mientras guarda la información del radio nuevo.
6. Cuando se apague la luz LED, habrá terminado el modo de **cambio de tipo de radio**. Ahora puede probar los controles en el volante.

**Nota:** Si el usuario no presiona ningún botón durante más de (10) segundos en algún momento, se abortará este proceso.

*Continúa en la siguiente página*

## CONFIGURACIÓN DE CONTROLES EN EL VOLANTE (CONT.)

### Leyenda del radio

- |                                     |                      |                        |
|-------------------------------------|----------------------|------------------------|
| 1. Eclipse (Typo 1)                 | 9. Valor             | 17. TBD                |
| 2. Kenwood                          | 10. Clarion (Typo 2) | 18. JBL                |
| 3. Clarion (Typo 1)                 | 11. Boss (Typo 2)    | 19. Insane Audio       |
| 4. Dual / Dual                      | 12. Eclipse (Typo 2) | 20. Axxera / Magnadyne |
| 5. JVC                              | 13. LG               | 21. Boss (Typo 3)      |
| 6. Boss (Typo 1) / Jensen / Pioneer | 14. Parrot           | 22. Axxera             |
| 7. Alpine                           | 15. XITE             | 23. Axxerra (Typo 2)   |
| 8. Visteon                          | 16. Philips          |                        |

### Remapeo de los botones del control en el volante

Cuando se haya programado la interfaz Axxess, podrá volver a mapearse la asignación de botones en los controles en el volante, si así lo quiere. Por ejemplo, si prefiere que el botón “**Buscar siguiente**” sea el botón de “**Silencio**”. Siga estos pasos para remapear los botones del control en el volante:

1. Asegúrese de que la interfaz Axxess sea visible para que pueda ver que la luz LED parpadea con el fin de confirmar el reconocimiento de los botones.

**Sugerencia:** Se recomienda apagar el radio.

2. Durante los primeros veinte segundos de encender la marcha, oprima el botón **Subir volumen** en el volante hasta que la luz LED deje de parpadear.
3. Suelte el botón de **Subir volumen**. La luz LED se apagará. En este momento se habrá programado el botón de “**Subir volumen**”.
4. Siga la lista de “**Leyenda de función de botones**” para consultar el orden en que tienen que programarse los botones de control en volante.

**Nota:** Si la siguiente función en la lista no está en el volante, oprima el botón de “**Subir volumen**” durante (1) segundo hasta que se encienda la luz LED para omitir esa función. Después, suelte el botón **Subir volumen**. Esto le indicará a la interfaz Axxess que esta función no está disponible, por lo que pasará a la próxima función.

5. Para terminar el proceso de remapeo, mantenga oprimido el botón de **Subir volumen** hasta que se apague la luz LED en la interfaz Axxess.

### Button Function Legend

- |                         |                                 |
|-------------------------|---------------------------------|
| 1. Subir volumen        | 10. Banda                       |
| 2. Bajar volumen        | 11. Reproducir/Aceptar          |
| 3. Buscar siguiente     | 12. PTT (presionar para hablar) |
| 4. Buscar anterior      | 13. Colgado                     |
| 5. Fuente/Modo          | 14. Descolgado                  |
| 6. Silencio             | 15. Subir ventilador*           |
| 7. Subir preestablecido | 16. Bajar ventilador*           |
| 8. Bajar preestablecido | 17. Subir temp.*                |
| 9. Encendido            | 18. Bajar temp.*                |

\* No disponible en esta aplicación

**Nota:** Es posible que algunos radios no cuenten con estos comandos. Consulte el manual que incluye el radio o comuníquese con el fabricante del radio para consultar los comandos específicos que reconoce este radio en especial.

*Continúa en la siguiente página*

### Instrucciones de asignación dual (presión extendida de botones)

La interfaz Axxess tiene la capacidad de asignar (2) funciones a un mismo botón, salvo por los botones de **Subir volumen** y **Bajar volumen**. Siga los pasos que están a continuación para programar el o los botones con la configuración deseada.

**Nota: Buscar siguiente** y **Buscar anterior** vienen preprogramados como Subir preestablecido y Bajar preestablecido cuando se oprime el botón por largo tiempo.

1. Encienda la marcha, pero no arranque el vehículo.
2. Mantenga oprimido el botón de control en el volante durante (10) segundos o hasta que la luz LED parpadee rápidamente. En este momento, suelte el botón y la luz LED dejará de parpadear.
3. Oprima el botón de **Subir volumen** la misma cantidad de veces que correspondan al número de botón nuevo seleccionado. Consulte la **leyenda de asignación dual**. La luz LED parpadeará rápidamente mientras se oprime el botón de **Subir volumen**, que dejará de parpadear cuando se suelte. Vaya al siguiente paso cuando se oprima el botón de **Subir volumen** la cantidad de veces deseada.  
**Precaución:** Si pasan más de (10) segundos desde que oprimió el botón de Subir volumen por última vez, se abortará este procedimiento y se apagará la luz LED.
4. Oprima el botón deseado para guardarlo en la memoria. En este momento se apagará la luz LED para indicar que la nueva información ha quedado guardada en la memoria.

**Nota:** Debe repetir estos mismos pasos en cada botón al que quiere asignar una función dual. Para restablecer un botón a su estado predeterminado, repita el paso n.º 1. Después, oprima el botón **Bajar volumen**. Se apagará la luz LED y se eliminará la función dual de ese botón.

### Leyenda de asignación dual

- |                     |                         |                        |                       |
|---------------------|-------------------------|------------------------|-----------------------|
| 1. No se permite    | 6. ATT/Mudo             | 11. Reproducir/Aceptar | 15. Subir ventilador* |
| 2. No se permite    | 7. Subir preestablecido | 12. PTT                | 16. Bajar ventilador* |
| 3. Buscar siguiente | 8. Bajar preestablecido | 13. Colgado            | 17. Subir temp.*      |
| 4. Buscar anterior  | 9. Encendido            | 14. Descolgado         | 18. Bajar temp.*      |
| 5. Modo/Fuente      | 10. Banda               |                        |                       |

\* No disponible en esta aplicación

### Restablecimiento de la interfaz Axxess

1. El botón de reinicio **azul** se encuentra dentro de la interfaz Axxess, entre los dos conectores. Puede acceder al botón desde afuera de la interfaz Axxess, por lo que no es necesario abrir la interfaz Axxess.
2. Mantenga oprimido el botón de reinicio durante dos segundos. Después, suéltelo para reiniciar la interfaz Axxess.
3. Consulte la sección de “**Programación**” a partir de este punto.



**99-3028S**  
INSTRUCCIONES DE INSTALACIÓN



¿Tienes dificultades? Estamos aquí para ayudar.



Póngase en contacto con nuestra  
línea de soporte técnico en:  
**386-257-1187**



O por correo electrónico a:  
[techsupport@metra-autosound.com](mailto:techsupport@metra-autosound.com)

#### **Horas de soporte técnico (hora estándar del este)**

Monday - Friday: 9:00 AM - 7:00 PM

Saturday: 10:00 AM - 7:00 PM

Sunday: 10:00 AM - 4:00 PM



#### **KNOWLEDGE IS POWER**

Enhance your installation and fabrication skills by enrolling in the most recognized and respected mobile electronics school in our industry. Log onto [www.installerinstitute.edu](http://www.installerinstitute.edu) or call 386-672-5771 for more information and take steps toward a better tomorrow.



**Metra recomienda MECP  
técnicos certificados**