



Toyota Prius 2010-2015

Toyota Prius PHV plug-in 2012-2015

Visit MetraOnline.com for more detailed information about the product and up-to-date vehicle specific applications

KIT FEATURES

- DDIN radio provision
- Stacked dual ISO mount radio provision
- Painted scratch resistant matte black

KIT COMPONENTS

- A) Radio housing
- B) Radio housing trim panel
- C) DDIN brackets
- D) DDIN trim plate

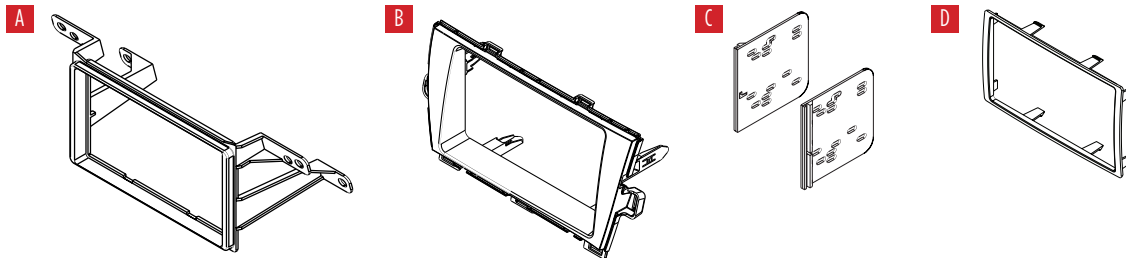


TABLE OF CONTENTS

Dash Disassembly.....	2
Kit Assembly	
-DDIN/stacked ISO mount radio provision.....	3

WIRING & ANTENNA CONNECTIONS (sold separately)

Wiring Harness: Please visit metraonline.com or axxessinterface.com for wiring harness and interface options

Antenna Adapter: Not required

TOOLS REQUIRED

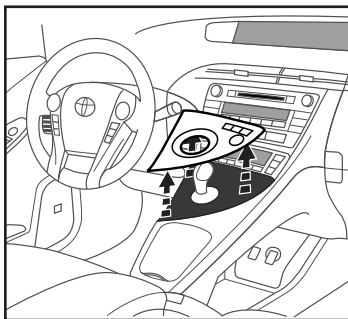
- Panel removal tool
- Phillips screwdriver
- Socket wrench

ATTENTION: With the key out of the ignition, disconnect the negative battery terminal before installing this product. Ensure that all installation connections, especially the air bag indicator lights, are plugged in before reconnecting the battery or cycling the ignition to test this product.

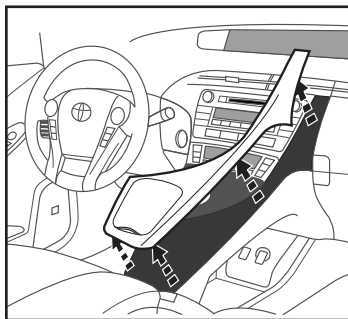
NOTE: Refer also to the instructions included with the aftermarket radio.

DASH DISASSEMBLY

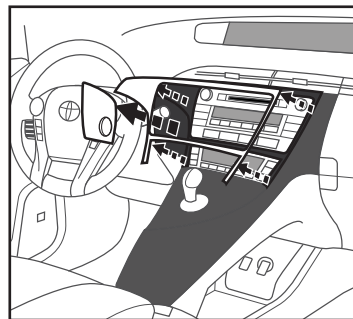
1. Unsnap and remove the shifter trim. (Figure A)
2. Unsnap and remove the console panel (extends from the pocket up the passenger side to the upper vents). (Figure B)
3. Unsnap the ignition button trim panel (not necessary to remove). (Figure C)
4. Unsnap and remove the radio/climate trim panel. (Figure C)
5. Remove (4) 10 mm bolts to remove the radio.



(Figure A)



(Figure B)



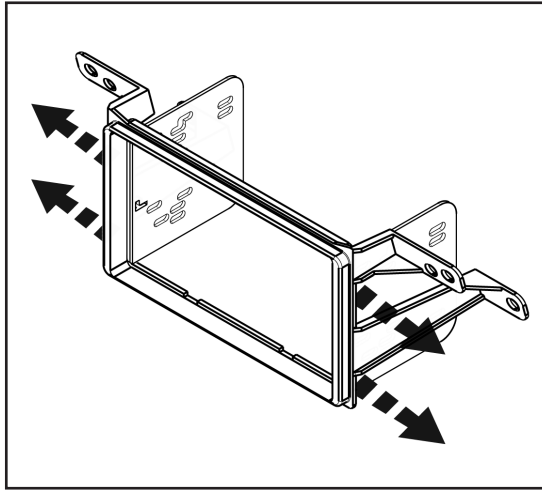
(Figure C)

Continue to Kit Assembly

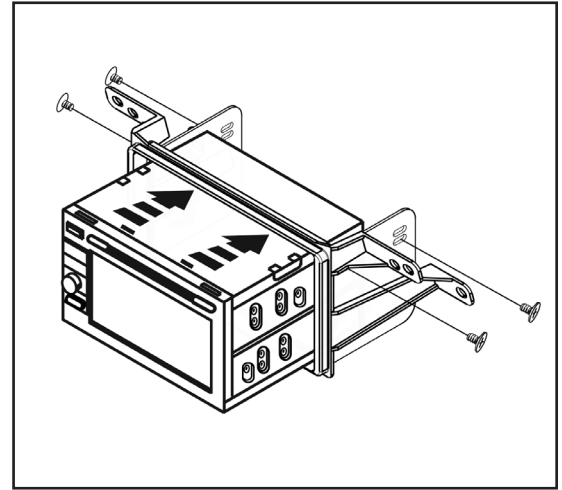
KIT ASSEMBLY

DDIN/stacked ISO mount units provision

1. Locate the factory wiring harness in the dash. Metra recommends using the proper mating adapter from Metra or AXXESS. Re-connect the negative battery terminal and test the radio for proper operation.
2. Attach the **DDIN brackets** to the **DDIN radio housing**. (Figure A)
3. Slide the DDIN radio or stacked ISO head units into the **bracket/radio housing** assembly and secure the DDIN radio or stacked ISO head units to the assembly using the screws supplied with the radio. (Figure B)
4. Snap the **trim plate** into the **radio housing**.
5. Mount the radio housing/radio into the dash, snap the **radio housing trim panel** into position.
6. Reassemble dash in reverse order of disassembly.



(Figure A)



(Figure B)



95-8226B
INSTALLATION INSTRUCTIONS



Having difficulties? We're here to help.



Contact our Tech Support line at:

386-257-1187



Or via email at:

techsupport@metra-autosound.com

Tech Support Hours (Eastern Standard Time)

Monday - Friday: 9:00 AM - 7:00 PM

Saturday: 10:00 AM - 5:00 PM

Sunday: 10:00 AM - 4:00 PM



**Metra recommends MECP
certified technicians**